



GENERAL PROVISIONS
OF THE
SPECIFICATIONS

MATERIAL SPECIFICATIONS LIST

- 1a. PIPE (PVCO): P.W. Eagle 200 PSI in accordance with AWWA C909. Use class 200 unless otherwise approved.

Water Pipe Main Size		
Diameter	Material	General Specifications
4"	PVC	SDR-21 ASTM D-2241 Class 200
6" to 12"	PVCO	AWWA C909 PC235 Ultra Blue

- 2a. PIPE (DICL): Ductile Iron Cement Lined: U.S Pipe or American Pipe with Tyton Gaskets in accordance with AWWA C151. Use Class 52 or 51 unless otherwise shown on drawings.

Water Pipe Main Size		
Diameter	Material	General Specification
4", 6", and 8"	DICL	AWWA C151 Class 52
12" and Greater	DICL	AWWA C151 Class 51

- 2b. BOLTLESS RESTRAINED (DICL) PIPE:
12"-16" U.S.Pipe TR-Flex, or approved equal
3. POLYENCASEMENT: 10 mils (unless otherwise specified)
4. GASKET FIELD LOK: U.S.Pipe or approved equal
5. MARKER TAPE: 6" width detector tape with foil backing and black lettering.
6. Pipe 12" or greater 12" wide tape.
7. GATE VALVE: Resilient Wedge Type. Gate Valves are FLG, MJ, or FLG x MJ Mueller or Clow in accordance with AWWA C515. Use EPDM for o-rings and.
8. VALVE BOX & LID: Cast Iron Lincoln Hat.

9. VALVE BOX PIPE CASING: Use SDR 35 plastic pipe or equal. For traffic bearing areas use DICL
10. TEE's: FLG or MJ fittings by Tyler, Union, or U.S.Pipe in accordance with AWWA C-153. Domestic only.
11. DI PIPE: Cast iron tapping sleeve (Mueller). For PVC (0) stainless steel of cast iron Mueller or Smith Blair up to 16" for CI or DI pipe use Mueller.
12. SPACER DICL FLG x PE: Tyler/Union, or U.S. Pipe.
13. ADAPTER MJ x FLG: Tyler/Union or U.S.Pipe
14. MEGALUG : EBBA Iron or UNI-flange by Ford
15. DCDA See SAW approved List
(Fire Services)
16. BY PASS METER FOR (DCDA): Use CLWSC Standard Drawings.
17. PLASTIC SERVICE: Nu Mex SDR9 or Hastings SDR9 AWWA C901 200 PSI Poly Tubing
18. FIRE HYDRANT: Mueller Centurion 200 to 250 Class Fire Hydrant in accordance with AWWA C502 Standard for Dry Barrel Fire CLOW Medallion
19. PIPE CASING: Bare steel, SCH 40 (0.375" wall, (minimum).

TYPE OF PIPE AND TYPE OF TAP

Type of Pipe	Service Size			
	3/4"	1"	1 1/2"	2"
2" PVC	Tap with service saddle	Tap with service saddle	Tap with service saddle	Tap with service saddle
3" PVC	Tap with service saddle	Tap with service saddle	Tap with service saddle	Tap with service saddle
4" PVC	Tap with service saddle	Tap with service saddle	Tap with service saddle	Tap with service saddle
4" DI CLASS 52	Tap with service saddle	Tap with service saddle	Tap with service saddle	Tap with service saddle
4" AC	Tap with service saddle	Tap with service saddle	Tap with service saddle	Tap with service saddle
6" PVC	Tap with service saddle	Tap with service saddle	Tap with service saddle	Tap with service saddle
6" DI CLASS 52	Direct tap or service saddle	Direct tap or service saddle	Tap with service saddle	Tap with service saddle
6" AC	Tap with service saddle	Tap with service saddle	Tap with service saddle	Tap with service saddle
8" PVC	Tap with service saddle	Tap with service saddle	Tap with service saddle	Tap with service saddle
8" DI CLASS 52	Direct tap or service saddle	Direct tap or service saddle	Tap with service saddle	Tap with service saddle
8" AC	Tap with service saddle	Tap with service saddle	Tap with service saddle	Tap with service saddle
10" PVC	Tap with service saddle	Tap with service saddle	Tap with service saddle	Tap with service saddle
10" DI	Tap with service saddle	Tap with service saddle	Tap with service saddle	Tap with service saddle
10" AC	Tap with service saddle	Tap with service saddle	Tap with service saddle	Tap with service saddle
12" PVC	Tap with service saddle	Tap with service saddle	Tap with service saddle	Tap with service saddle
12" DI	Tap with service saddle	Tap with service saddle	Tap with service saddle	Tap with service saddle
12" AC	Tap with service saddle	Tap with service saddle	Tap with service saddle	Tap with service saddle
16" PVC	Tap with service saddle	Tap with service saddle	Tap with service saddle	Tap with service saddle
16 DI	Tap with service saddle	Tap with service saddle	Tap with service saddle	Tap with service saddle
16" AC	Tap with service saddle	Tap with service saddle	Tap with service saddle	Tap with service saddle

MATERIALS

1" Service 1"Meter	MFG Brand	MFG STOCK#
1" Corporation Stop	FORD	FB1100-4-G-NL
1" Poly Insert	FORD	Insert-52
1" Poly Tubing	NuMex	PE4710
1" Angle Stop or	FORD	BA43-444-W-G-NM
1" Straight Stop	FORD	B43-444w-G-NL
12" X 17" Meter Box W/LID	Alliance	DFW PLASTIC INC DFW 1200.12.1

1 1/2" Service 1 1/2" Meter	MFG Brand	MFG STOCK#
2" Tap Saddle	Attached Sheets	
2"X 6" Brass Nipple	USA	
2" Threaded Sq Nut Gate Valve	Mueller or Clow	
2"X 1 1/2" Bushing	Mateo	NSF61-4
1 1/2" Male Adapter	FORD	C14-66-G
1 1/2" Poly Tubing		
1 1/2" Flanged Angle Stop or	FORD	FV43-666WG
1 1/2" Flanged Straight Stop	FORD	BF43-666WG
2-1 1/2" Meter Flange		
1 1/2" Meter	Per Engineer Plans	
2-16" x 26" Cast Iron Meter Box W/LID		
1 1/2"X 12"Brass Nipple	USA	
Brass Ball Valve	USA	
1 1/2" X 6"Brass Nipple	USA	
1 1/2"Pressure Regulating Valve	WATIS	(EDP#)0009 431
1 1/2"PVC Male Adapter		

2" Service 2"Meter	MFG Brand	MFG STOCK#
2" Tap Saddle	Attached Sheets	
2" X 6" Brass Nipple	USA	
2" Treaded Square Nut Gate Valve	Mueller or Clow	
2" Male Adapter		C84-77G-NL
2"Poly Tubing		
2"Angle Stop Flanged or		FV43-777-WG
2" Straight Stop Flanged	FORD	BF43-777-WG-NL
2-2"Meter Flanges		
2"Meter	Per Engineer Plans	
2" X 12" Brass Nipple	USA	
2- 17"X 31" Cast Iron Meter Box W/LID		
Brass Ball Valve	USA	
2"X6" Brass Nipple	USA	
2"Pressure Regulating Valve	Apollo	36LF-108-03
2" PVC Male Adapter		

Ford Brass Saddles Style S70 and S71

For Standard PVC Pipe

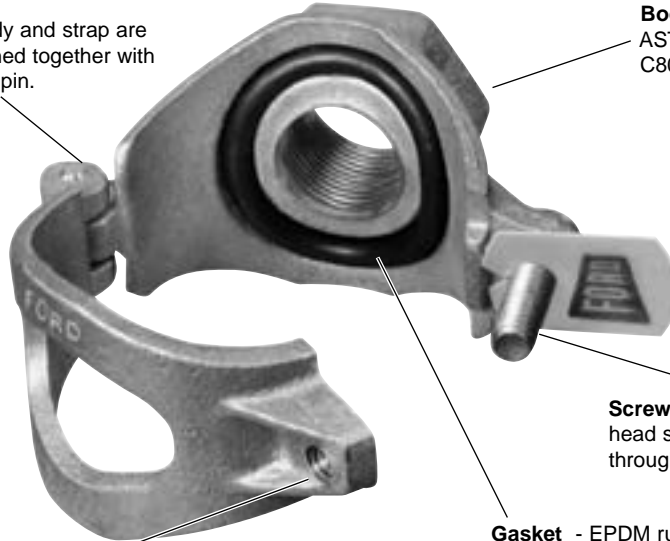
Specifications

Hinged S70

Design A

Hinge Pin - Body and strap are permanently joined together with a silicon bronze pin.

Body - 85-5-5-5 brass alloy as per ASTM B62, ASTM B584 and AWWA C800. Threads may be FIP or AWWA.



Screw - 5/16" diameter, slotted 1/2" hex head silicon bronze bolt used on 1-1/2" through 8" saddles, with 3/4" and 1" taps.

Gasket - EPDM rubber, ASTM D2000 O-ring design.

Strap - 85-5-5-5 brass alloy as per ASTM B62, ASTM B584 and AWWA C800. Bottom strap is tapped to eliminate need for nut.

S70 1-1/2" - 8" (Design may vary on certain sizes - see catalog listing).

Bolted S70

A machined groove around the top outside edge indicates an AWWA threaded outlet. FIP outlet saddles do not have machined groove.

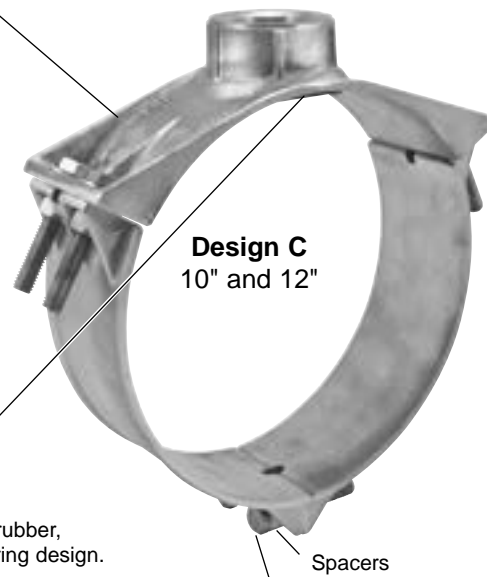
Body - 85-5-5-5 brass alloy as per ASTM B62, ASTM B584 and AWWA C800. Threads may be FIP or AWWA.

Design B
2" and 3"
1-1/4" - 2" Taps



Bolts - 5/16" (1/2" hex head) or 3/8" (9/16" hex head) silicon bronze bolts. Body casting tapped to eliminate need for nut.

Gasket - EPDM rubber, ASTM D2000 O-ring design.



Design C
10" and 12"

Bolts - 1/2" diameter (3/4" hex head) silicon bronze bolts, nuts and washers.

Ford Brass Saddles Style S70 and S71

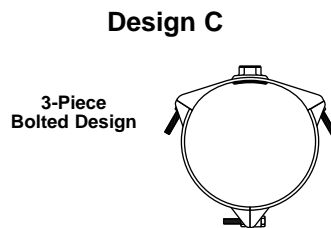
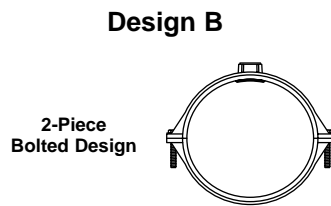
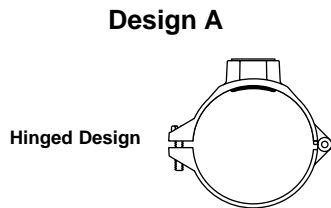
For Standard Steel Size PVC Pipe

Ford Saddles are cast from certified 85-5-5 waterworks brass and machined to rigid specifications. Their ample width and preformed radius provide greater distribution of clamping pressures to avoid crushing the pipe.

Design "A" (hinged) saddles install as a single unit with no loose parts to lose in the ditch. (Designs may vary - see below.) The upper and lower castings are permanently hinged together with a silicon bronze pin and the silicon bronze bolt has a retainer on it to prevent loss during shipment and installation. The retainer tag identifies the tap style and size. The lower casting is tapped to accept the bolt so that nuts are not required. PVC pipe may expand under high pressure causing damage to over-tightened saddles.

Ford's convenient marking system quickly and easily identifies the type of thread in the boss. For AWWA tapered thread, the top of the boss has a machined groove around the top outside edge while the boss for iron pipe thread is smooth.

Style S70 and S71 Brass Saddles



PVC PIPE SIZE	ACTUAL PIPE O.D.	AWWA CAT. No. S70	IP TAP CAT. No. S71	TAP SIZE	DESIGN	APPROX. Wt. LBS.
1-1/2"	1.90	S70-151	S71-151	1/2"	A	1.0
		S70-153	S71-153	3/4"	A	1.0
2"	2.38	S70-201	S71-201	1/2"	A	1.4
		S70-203	S71-203	3/4"	A	1.1
		S70-204	S71-204	1"	A	1.0
		S70-205	S71-205	1-1/4"	B	3.6
		S70-206	S71-206	1-1/2"	B	3.4
		S70-253	S71-253	3/4"	A	1.7
2-1/2"	2.88	S70-254	S71-254	1"	A	1.6
		S70-255	S71-255	1-1/4"	B	3.8
		S70-256	S71-256	1-1/2"	B	3.6
3"	3.50	S70-301	S71-301	1/2"	A	1.9
		S70-303	S71-303	3/4"	A	1.8
		S70-304	S71-304	1"	A	1.7
		-	S71-307	2"	B	3.5
4"	4.50	S70-401	S71-401	1/2"	A	2.2
		S70-403	S71-403	3/4"	A	2.1
		S70-404	S71-404	1"	A	2.0
		S70-406	S71-406	1-1/2"	A	4.1
		S70-407	S71-407	2"	A	4.8
5"	5.56	S70-503	S71-503	3/4"	A	2.6
		S70-504	S71-504	1"	A	2.5
6"	6.63	S70-601	S71-601	1/2"	A	2.9
		S70-603	S71-603	3/4"	A	2.8
		S70-604	S71-604	1"	A	2.8
		S70-606	S71-606	1-1/2"	A	5.9
		S70-607	S71-607	2"	A	5.1
8"	8.63	S70-801	S71-801	1/2"	A	3.7
		S70-803	S71-803	3/4"	A	3.6
		S70-804	S71-804	1"	A	3.6
		S70-806	S71-806	1-1/2"	A	5.8
		S70-807	S71-807	2"	A	5.6
10"	10.75	S70-1003	S71-1003	3/4"	C	7.0
		S70-1004	S71-1004	1"	C	7.0
	10.75-11.10	*S70-S90-1006	*S71-S91-1006	1-1/2"	C	10.4
		*S70-S90-1007	*S71-S91-1007	2"	C	10.7
12"	12.75	S70-1203	S71-1203	3/4"	C	8.1
		S70-1204	S71-1204	1"	C	7.8
	12.75-13.20	*S70-S90-1206	*S71-S91-1206	1-1/2"	C	11.3
		*S70-S90-1207	*S71-S91-1207	2"	C	10.9

* These saddles will cover Steel size PVC and C900 PVC O.D. range.

Saddle Style, Design and Bolt Chart

SADDLE STYLE	PVC PIPE SIZE	TAP SIZE	DESIGN	No. OF BOLTS	SADDLE SCREW AND BOLT SIZE	BOLT CAT. No.
S70 / S71	1-1/2" thru 8"	3/4" and 1"	Hinged	1 per saddle	5/16"x1-1/2"	SADDLE-SCREW800181
	2"	1-1/4" and 1-1/2"	2 Piece	4 per saddle	5/16"x1-1/2"	SADDLE-SCREW800181
	2-1/2"	1-1/4" and 1-1/2"	2 Piece	4 per saddle	3/8"x2"	SADDLE-SCREW800233
	3"	2"	2 Piece	4 per saddle	3/8"x1-1/2"	SADDLE-BOLT-800224
	4" thru 8"	1-1/2" and 2"	Hinged	2 per saddle	5/16"x1-1/2"	SADDLE-SCREW800181
	10" and 12"	3/4" and 1"	3 Piece	3 per saddle	1/2"x3"	**SADDLE-BOLT-800287
	10" and 12"	1-1/2" and 2"	3 Piece	6 per saddle	1/2"x3"	**SADDLE-BOLT-800287

** Requires nut. Catalog number: SADDLE-NUT-800490

Ford Brass Saddles Style S90 and S91

For C900 PVC Pipe

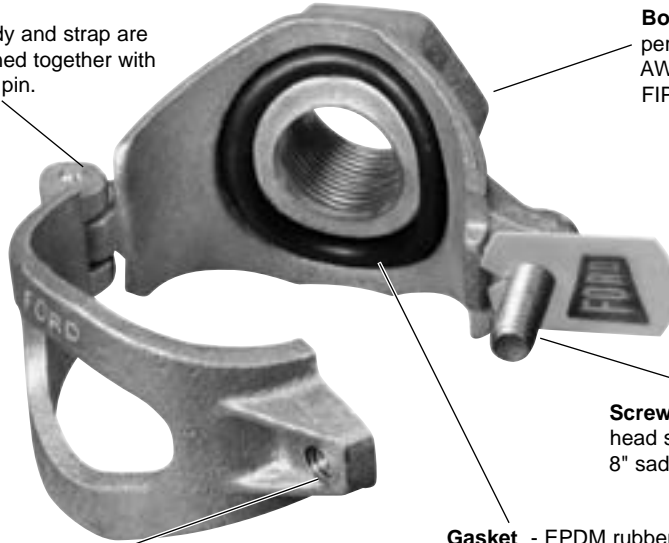
Specifications

Hinged S90

Design A

Hinge Pin - Body and strap are permanently joined together with a silicon bronze pin.

Body - 85-5-5-5 brass alloy as per ASTM B62, ASTM B584 and AWWA C800. Threads may be FIP or AWWA.



Screw - 5/16" diameter, slotted 1/2" hex head silicon bronze bolt used on 2" through 8" saddles.

Gasket - EPDM rubber, ASTM D2000 O-ring design.

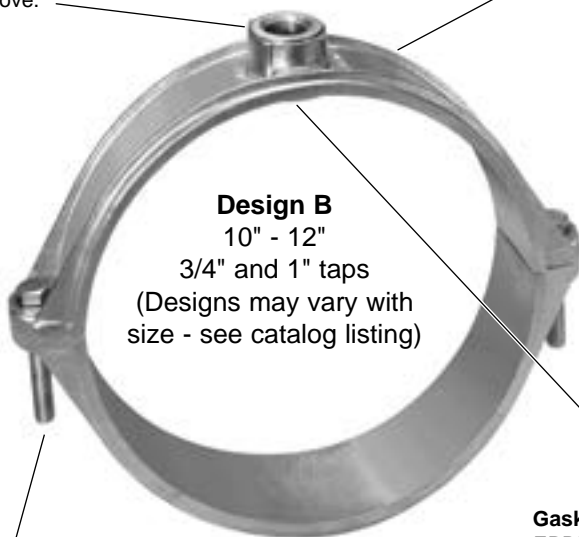
Strap - 85-5-5-5 brass alloy as per ASTM B62, ASTM B584 and AWWA C800. Bottom strap is tapped to eliminate need for nut.

S90 2" - 8" (Design may vary on certain sizes - see catalog listing).

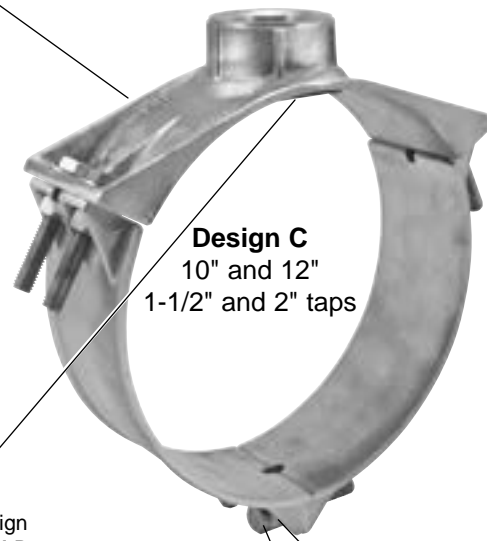
Bolted S90

A machined groove around the top outside edge indicates an AWWA threaded outlet. FIP outlet saddles do not have machined groove.

Body - 85-5-5-5 brass alloy as per ASTM B62, ASTM B584 and AWWA C800. Threads may be FIP or AWWA.



Design B
10" - 12"
3/4" and 1" taps
(Designs may vary with size - see catalog listing)



Design C
10" and 12"
1-1/2" and 2" taps

Gasket - O-ring design
EPDM rubber, ASTM D2000.

Spacers

Bolts - 1/2" (3/4" hex head) or 3/8" (9/16" hex head) silicon bronze bolts. Body casting tapped to eliminate need for nut.

Bolts - 1/2" diameter (3/4" hex head) silicon bronze bolts, nuts and washers.

Ford Brass Saddles Style S90 and S91

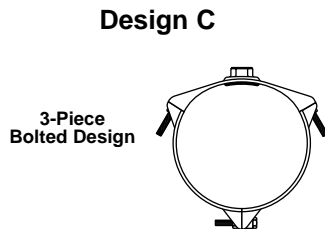
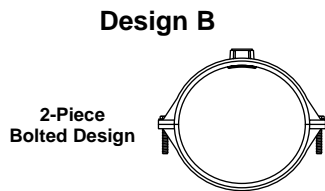
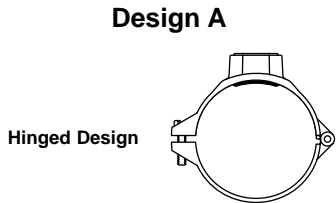
For C900 PVC Pipe

Ford Saddles are cast from certified 85-5-5-5 waterworks brass and machined to rigid specifications. Their ample width and preformed radius provide greater distribution of clamping pressures to avoid crushing the pipe.

Design "A" (hinged) saddles install as a single unit with no loose parts to lose in the ditch. (Designs may vary - see below.) The upper and lower castings are permanently hinged together with a silicon bronze pin and the silicon bronze bolt has a retainer on it to prevent loss during shipment and installation. The retainer tag identifies the tap style and size. The lower casting is tapped to accept the bolt so that nuts are not required. PVC pipe may expand under high pressure causing damage to over-tightened saddles.

Ford's convenient marking system quickly and easily identifies the type of thread in the boss. For AWWA tapered thread, the top of the boss has a machined groove around the top outside edge while the boss for iron pipe thread is smooth.

Style S90 and S91 Saddles for C900 PVC Pipe



PVC PIPE SIZE	ACTUAL PIPE O.D.	AWWA CAT. No. S90	IP TAP CAT. No. S91	TAP SIZE	DESIGN	APPROX. WT. LBS.
2"	2.50	S90-201	S91-201	1/2"	A	0.9
		S90-203	S91-203	3/4"	A	1.1
4"	4.80	S90-401	S91-401	1/2"	A	2.1
		S90-403	S91-403	3/4"	A	1.8
		S90-404	S91-404	1"	A	2.0
		S90-406	S91-406	1-1/2"	A	6.5
		S90-407	S91-407	2"	A	6.4
		S90-601	-	1/2"	A	3.4
6"	6.90	S90-603	S91-603	3/4"	A	2.6
		S90-604	S91-604	1"	A	2.6
		S90-606	S91-606	1-1/2"	A	8.9
		S90-607	S91-607	2"	A	7.3
8"	9.05	S90-801	S91-801	1/2"	A	3.6
		S90-803	S91-803	3/4"	A	2.8
		S90-804	S91-804	1"	A	3.2
		S90-806	S91-806	1-1/2"	A	8.0
		S90-807	S91-807	2"	A	8.5
		S90-1003	S91-1003	3/4"	B	9.3
10"	11.10	S90-1004	S91-1004	1"	B	9.2
	10.75-11.10	*S70-S90-1006	*S71-S91-1006	1-1/2"	C	10.5
12"	13.20	*S70-S90-1007	*S71-S91-1007	2"	C	10.5
		S90-1203	S91-1203	3/4"	B	11.1
	S90-1204	S91-1204	1"	B	11.0	
	12.75-13.20	*S70-S90-1206	*S71-S91-1206	1-1/2"	C	11.5
		*S70-S90-1207	*S71-S91-1207	2"	C	11.0

* These saddles will cover steel size PVC and C900 PVC O.D. range.

Note: 10" and 12" S90 and S91 saddles with 3/4" and 1" taps are also a two-piece bolted design. Larger saddles, style 202BS, designed for C900 PVC are listed on page 23.

Style S902 and S912 Two-Piece Bolted Saddles for C900 PVC Pipe

PVC PIPE SIZE	ACTUAL PIPE O.D.	AWWA CAT. No. S902	IP TAP CAT. No. S912	TAP SIZE	DESIGN	APPROX. WT. LBS.
4"	4.80	S902-403	S912-403	3/4"	B	3.2
		S902-404	S912-404	1"	B	2.9
		S902-406	S912-406	1-1/2"	B	6.5
		S902-407	S912-407	2"	B	6.5
6"	6.90	S902-603	S912-603	3/4"	B	4.6
		S902-604	S912-604	1"	B	4.5
		S902-606	S912-606	1-1/2"	B	8.5
		S902-607	S912-607	2"	B	8.5
8"	9.05	S902-803	S912-803	3/4"	B	5.5
		S902-804	S912-804	1"	B	5.4
		S902-806	S912-806	1-1/2"	B	12.5
		S902-807	S912-807	2"	B	12.5
10"	11.10	S902-1006	S912-1006	1-1/2"	B	12.8
		S902-1007	S912-1007	2"	B	12.2
12"	13.20	S902-1206	S912-1206	1-1/2"	B	14.3
		S902-1207	S912-1207	2"	B	14.3

Saddle Style, Design and Bolt Chart

SADDLE STYLE	PVC PIPE SIZE	TAP SIZE	DESIGN	NO. OF BOLTS	SADDLE SCREW AND BOLT SIZES	BOLT CAT. NO.
S90 / S91	2" thru 8"	3/4" and 1"	Hinged	1 per saddle	5/16"x1-1/2"	SADDLE-SCREW800181
	4" thru 8"	1-1/2" and 2"	Hinged	2 per saddle	5/16"x1-1/2"	SADDLE-SCREW800181
	10" and 12"	3/4" and 1"	2 Piece	2 per saddle	1/2"x3"	**SADDLE-BOLT-800287
	10" and 12"	1-1/2" and 2"	3 Piece	6 per saddle	1/2"x3"	**SADDLE-BOLT-800287
S902 / S912	4" thru 12"	3/4" and 1"	2 Piece	2 per saddle	3/8"x2"	SADDLE-SCREW800233
		1-1/2" and 2"	2 Piece	4 per saddle	1/2"x3"	**† SADDLE-BOLT-800287

** Requires nut. Catalog number: SADDLE-NUT-800490

† Requires washer. Catalog number: SADDLEWASHER800561



312 and 314 Service Saddles

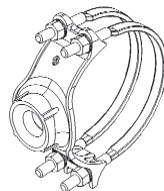
Smith-Blair's service saddles for gas have a unique design that affords maximum contact with the pipe.

The low profile wrap-around design gives full pipe support. When tightening, the pressure is applied circumferentially at the top and bottom. The pipe is actually reinforced, not crushed. This wrap-around design prevents movement on the pipe and assures a tight seal that will last as long as the pipe.

Smith-Blair service saddles furnished to the gas industry are air-tested and marked according to gas industry requirements.



**DESIGN
ENSURES
MAXIMUM
CONTACT
WITH THE
PIPE.**

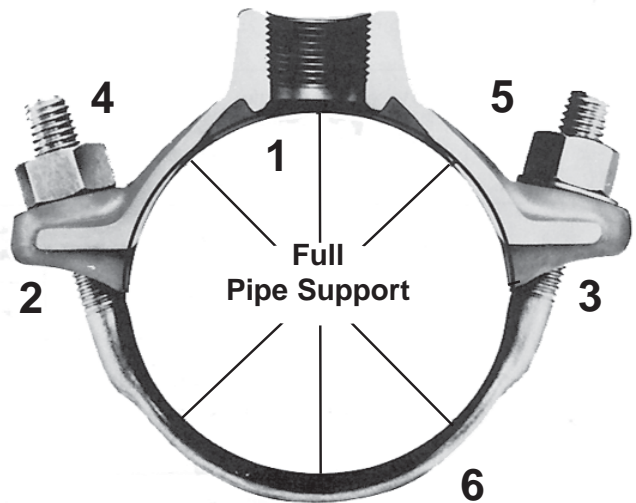


Material Specifications

- BODY:** Ductile Iron ASTM-A536
- GASKET:** Smith-Blair Nitrile (Buna-N) compounded to resist oil, natural gas, acids, alkalies, most hydro-carbon fluids, water and many chemicals
Temperature ranges: -20°F to +180°F
- BALES:** Carbon Steel C111, electro-galvanized with a di-chromate seal ASTM-B633
- NUTS:** Cold formed semi-finished heavy hex steel -A563 electro-galvanized with a di-chromate seal ASTM-B633
- WASHERS:** Carbon Steel ASTM-A108, electro-galvanized with a di-chromate seal ASTM-B633
- FINISH:** Corrosion protected with Flexi-Coat epoxy

Material specifications subject to change.

Full Pipe Support--Design Superiority



Features:

1. TaperSeal™ gasket-provides wide sealing area. Increased pressure improves sealing.
2. Canted ears-permit maximum strap bearing area.
3. Open and closed ears mean no loose parts, and make installation easy.
4. Heavy hex nuts.
5. Wide saddle skirt; heavy tapping boss.
6. Wide bales-with low profile feature give greater pipe contact.
7. Working Pressure **150 PSIG**.

Note: Optional anode connector available upon request.

Installation Instructions

1. Clean pipe surface thoroughly, particularly in area where gasket will be seated.
2. Lubricate pipe and face of gasket with soap and water solution. (Add anti-freeze in cold weather).
3. Mount saddle body, with gasket in place, on pipe.
4. Prior to tightening, position saddle to suit installation.
5. Tighten nuts progressively and uniformly as follows:
 - 1/2" nuts-40 to 50 ft. lbs. torque
 - 5/8" nuts-60 to 70 ft. lbs. torque
 - 3/4" nuts-80 to 90 ft. lbs. torque
6. Make connection to saddle boss.



314 Service Saddles



314 Double Strap Service Saddle (continued)

For Steel and Cast Iron Pipe 3/4" - 1 1/2" NPT Taps

Nom. Pipe Size In.	Saddle O.D. Range In.	Catalog Number			
		3/4" NPT	1" NPT	1 1/4" NPT	1 1/2" NPT
6	5.94-6.70	314-00066306-000	314-00066308-000	314-00066310-000	314-00066312-000
6	5.94-6.90	314-00069006-000	314-00069008-000	314-00069010-000	314-00069012-000
6	6.84-7.60	314-00076006-000	314-00076008-000	314-00076010-000	314-00076012-000
6-8	7.69-8.72	314-00087206-000	314-00087208-000	314-00087210-000	314-00087212-000
6-8	7.69-9.05	314-00090506-000	314-00090508-000	314-00090510-000	314-00090512-000
8-10	8.54-10.10	314-00101006-000	314-00101008-000	314-00101010-000	314-00101012-000
10	10.75-11.10	314-00111006-000	314-00111008-000	314-00111010-000	314-00111012-000
10-12	10.64-12.12	314-00121206-000	314-00121208-000	314-00121210-000	314-00121212-000
12	12.75-13.20	314-00132006-000	314-00132008-000	314-00132010-000	314-00132012-000
12-14	12.62-14.32	314-00143206-000	314-00143208-000	314-00143210-000	314-00143212-000
12-14	14.73-15.65	314-00156506-000	314-00156508-000	314-00156510-000	314-00156512-000
14-16	15.95-17.25	314-00172506-000	314-00172508-000	314-00172510-000	314-00172512-000
16	17.25-17.80	314-00178006-000	314-00178008-000	314-00178010-000	314-00178012-000
16	17.40-18.88	314-00188806-000	314-00188808-000	314-00188810-000	314-00188812-000

314 Double Strap Service Saddle

For Steel and Cast Iron Pipe 2" - 4" NPT Taps

Nom. Pipe Size In.	Saddle O.D. Range In.	Catalog Number			
		2" NPT	2 1/2" NPT	3" NPT	4" NPT
2	2.35-2.56	N/A	N/A	N/A	N/A
3	2.97-3.54	314-00035414-000	N/A	N/A	N/A
3-4	3.74-4.13	314-00041314-000	N/A	N/A	N/A
4	4.40-4.80	314-00048014-000	314-00048016-000	N/A	N/A
4-5	4.74-5.14	314-00051414-000	314-00051416-000	N/A	N/A
4-5	5.00-5.63	314-00056314-000	314-00056316-000	N/A	N/A
6	5.94-6.70	314-00066314-000	314-00066316-000	314-00066317-000	N/A
6	5.94-6.90	314-00069014-000	314-00069016-000	314-00069017-000	N/A
6	6.84-7.60	314-00076014-000	314-00076016-000	314-00076017-000	314-00076018-000
6-8	7.69-8.72	314-00087214-000	314-00087216-000	N/A	N/A
6-8	7.69-9.05	314-00090514-000	N/A	N/A	N/A
8-10	8.54-10.10	314-00101014-000	314-00101016-000	314-00101017-000	314-00101018-000
10	10.75-11.10	314-00111014-000	314-00111016-000	N/A	N/A
10-12	11.30-12.12	314-00121214-000	314-00121216-000	314-00121217-000	314-00121218-000
12	12.75-13.20	314-00132014-000	314-00132016-000	N/A	N/A
12-14	13.40-14.32	314-00143214-000	314-00143216-000	314-00143217-000	314-00143218-000
12-14	14.73-15.65	314-00156514-000	314-00156516-000	314-00156517-000	314-00156518-000
14-16	15.95-17.25	314-00172514-000	314-00172516-000	N/A	N/A
16	17.25-17.80	314-00178014-000	314-00178016-000	314-00178017-000	314-00178018-000
16-18	17.40-18.88	314-00188814-000	314-00188816-000	314-00188817-000*	314-00188818-000*

3" & 4" Taps available in some other sizes. Consult Smith-Blair engineers for details. *In 3" & 4" NPT Tap Sizes, the saddle range for 16-18 Nom. Size pipe is 17.81-18.88

Smith-Blair, Inc.
30 Globe Ave., Texarkana, AR 71854

Inside Sales:
Ph: (870) 773-5127 • (800) 643-9705
Fax: (870) 773-5212 • (800) 648-6792
www.smith-blair.com

Distributed by:

